



Physical Features

Model	GZY-A8520
Size	85(L)x20(W)x11.0(H)mm, (Hole:D4.0mmx2)
Material	ABS+PC
Colour	White
Working Temp	-25~+85
Storage Temp	-40~+85
Installation Methods	Adhesive, Screw, binding
Package details	500Pcs/bags
Weight	10.0g

RFID Features

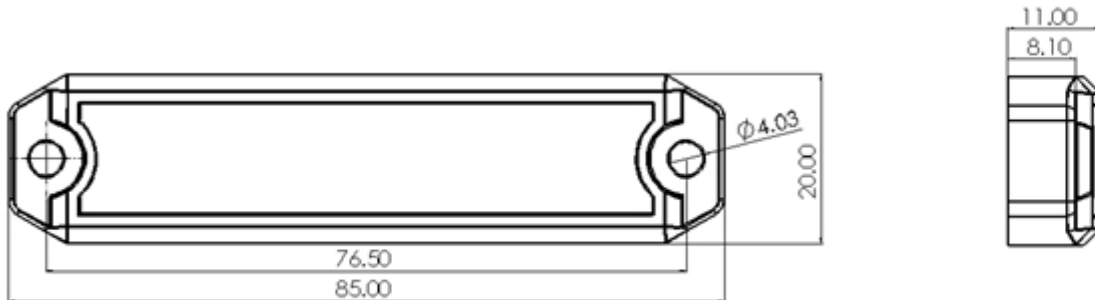
Protocol Standard	EPC CLASS1 GEN2, ISO 18000-6C
Working Frequency	865-868Mhz, 902-928Mhz(Customized)
Chip Type	NXP Ucode 8, Ucode 9
EPC Memory	96-128bit, TID:64bit
Read distance	1-12.0m, On Metal Surfaces (depend on reader performance)
Re-Write	>100,000times
Data Storage	>10 years

Others Features

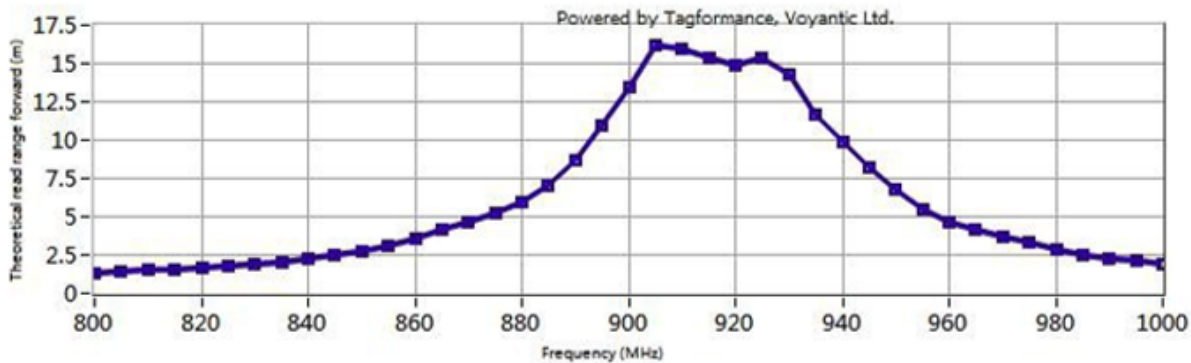
Application	<ul style="list-style-type: none"> ● IT Asset Management ● Production line Management ● Warehouse Pallet Management ● Fixed Asset Management
Optional customization	Surface laser, printing LOGO, serial number, Encoding, etc.
IP Rating	IP68

Focus On RFID Solutions

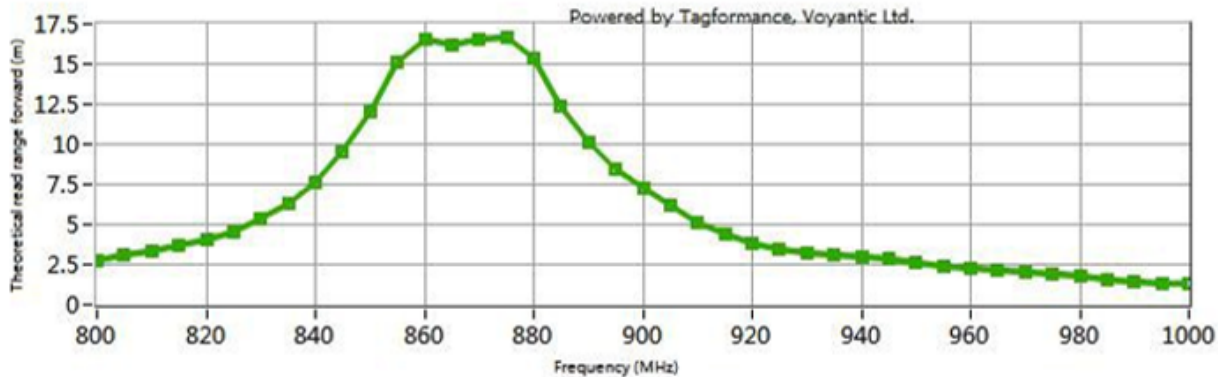
Dimensions:(mm)



US Test



EU Test



Note: Our company may optimize products in response to market changes, and any changes will be made without prior notice, please understand!



SHENZHEN INFO WISE TECHNOLOGY CO.,LTD.

Web: www.infowiserfid.com Email: sales@infowiserfid.com Tel : 153-6140-7827 office tel : 0755-21005073

Add: Address: 1101 & 1102, Building 5A, Huaqiang Creative Industry Park, Guangming Sub-district, Guangming District, Shenzhen City, Guangdong Province, P.R. China