



## GZY-3527 High Temperature RFID TAG

GZY-3527 are specifically designed to be the most durable asset tracking tags for industrial markets where critical and potentially hazardous situations require reliable identification of assets. The GZY-3527 rfid on metal tag can survive temperatures of up to 260°C for 1500 hours. GZY-3527 asset tracking tags are constructed with robust materials and rated IP68 for high reliability and durability in all types of environments.

### RFID Features:

RFID Protocol:	EPC Class1 Gen2, ISO18000-6C
Frequency:	(US) 902-928MHz, (EU) 865-868MHz
Chip Type:	NXP Ucode 8, 9
Memory :	EPC 96bits-128bits , USER 0bits, TID64bits
TID Memory:	64bit
Date Storage:	>10years
Re-Write:	100,000times
Read Range : (Fix Reader)	1-5.0m, On metal
Read Range : (Handheld Reader)	0.5-1.0m, On metal

### Physical Features :

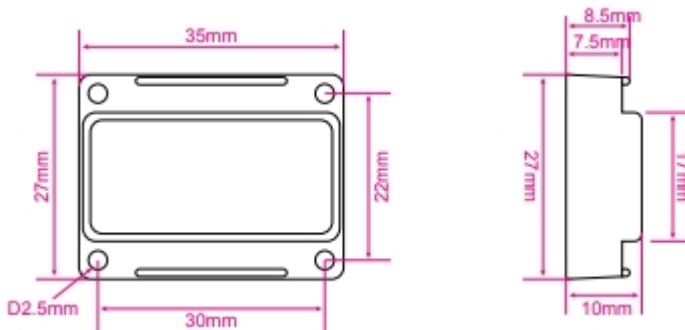
Size	35x27mm, Hole: D2.5mmx4
Material:	PEEK
Chip Type:	NXP Ucode 8, 9
Colour:	Black (Red, Blue, Green, White)
Mounting Methods:	Screw - Socket head cap screw(M2)
Weight:	11.0g

# Focus on RFID Solutions

## Environmental Features :

IP Rating:	<b>IP68, IP69K</b>
Withstand PH:	PH0 to PH14, and all other liquid that PEEK can handle with.
Storage Temperature:	<b>-60°C to +230°C; +260°C 1500 hours</b>
Operation Temperature:	<b>-40°C to +150°C</b>
Reliability testing terms and results:	<p>a. Withstand <b>280°C for 1000 hours continuously without damage.</b></p> <p>b. Withstand <b>260°C for 1500 hours continuously without damage.</b></p> <p>c. Withstand <b>-20°C for 8 hours then 260°C for 16 hours per day, 60 days</b> continuously without damage.</p> <p>d. Withstand from <b>150°C to -40°C, 7.5 cycles per day, 80 days</b> continuously with total 600 cycles without damage.</p> <p>e. Withstand <b>260°C for 100 hours continuously then soaking in 2m depth water</b> for 48 hours, without seepage or damage.</p>
compression strength:	150Mpa

## Dimensions:



**SHENZHEN INFO WISE TECHNOLOGY CO.,LTD.**

Web: [www.infowiserfid.com](http://www.infowiserfid.com) Email: [sales@infowiserfid.com](mailto:sales@infowiserfid.com) Tel : 153-6140-7827 office tel : 0755-21005073

Add: Address: 1101 & 1102, Building 5A, Huaqiang Creative Industry Park, Guangming Sub-district, Guangming District, Shenzhen City, Guangdong Province, P.R. China