



GZY-37

TAG

High-temperature and corrosion-resistant labels, with dimensions of 37×14mm, can operate at a maximum temperature of 200 and withstand a pressure of 150Mpa. The farthest reading distance on metal surfaces is 5.0 meters. They support installation via screws, rivets, or adhesive backing, and are suitable for mid-range identification scenarios in high-temperature furnaces, chemical pipelines, etc.

RFID Features:

RFID Protocol:	EPC Class1 Gen2, ISO18000-6C
Frequency:	(US) 902-928MHz, (EU) 865-868MHz
Chip Type:	NXP Ucode 8, 9
Memory :	EPC 96bits-128bits , USER 0bits, TID64bits
TID Memory:	64bit
Date Storage:	>10years
Re-Write:	100,000times
Read Range : (Fix Reader)	1-5.0m, On metal
Read Range : (Handheld Reader)	0.5-2.0m, On metal

Physical Features :

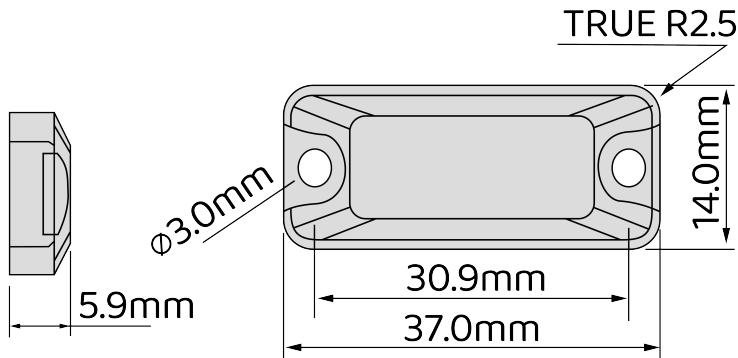
Size	37x14mm, Hole: D3mmx2
Material:	PEEK
Chip Type:	NXP Ucode 8, 9
Colour:	Black (Red, Blue, Green, White)
Mounting Methods:	Screw - Socket head cap screw(M2)
Weight:	7.0g

Focus on RFID Solutions

Environmental Features :

IP Rating:	IP68, IP69K
Withstand PH:	PH0 to PH14, and all other liquid that PEEK can handle with.
Storage Temperature:	-60°C to +200°C; +260°C 1500 hours
Operation Temperature:	-40°C to +200°C
Reliability testing terms and results:	<p>a. Withstand 280°C for 1000 hours continuously without damage.</p> <p>b. Withstand 260°C for 1500 hours continuously without damage.</p> <p>c. Withstand -20°C for 8 hours then 260°C for 16 hours per day, 60 days continuously without damage.</p> <p>d. Withstand from 150°C to -40°C, 7.5 cycles per day, 80 days continuously with total 600 cycles without damage.</p> <p>e. Withstand 260°C for 100 hours continuously then soaking in 2m depth water for 48 hours, without seepage or damage.</p>
compression strength:	150Mpa

Dimensions:



SHENZHEN INFO WISE TECHNOLOGY CO.,LTD.

Web: www.infowiserfid.com Email: sales@infowiserfid.com Tel : 153-6140-7827 office tel : 0755-21005073

Add: Address: 1101 & 1102, Building 5A, Huaqiang Creative Industry Park, Guangming Sub-district, Guangming District, Shenzhen City, Guangdong Province, P.R. China